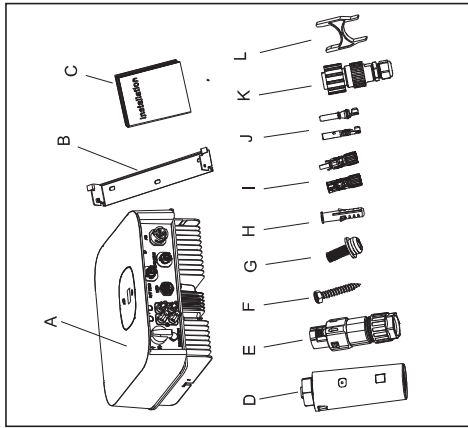


# MIN 2500-6000 TL-XE Quick Guide



## 1. Overview



Object	Description	Quantity
A	Inverter	1
B	Mounting bracket	1
C	Quick Guide	1
D	Monitor(Optional)	1
E	Signal connector	1
	PCI connector	1
F	Self-tapping screws	3

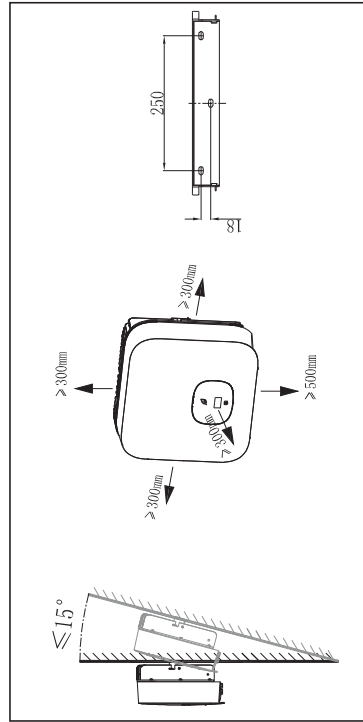
G	Safety-lock screw	1
H	Plastic expansion pipe	3
I	PV+/PV- terminal	2/2
J	PV+/PV- metal terminal	2/2
K	AC connector	1
L	Uninstall signal and AC connector tool	1

**⚠ Notice:**  
Before installing the device, check that the package contents are intact and complete against the packing list. If any damage is found or any component missing, contact your dealer.

## 2. Installing the Device

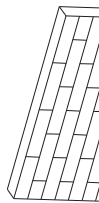
### 2.1 Installation Requirements

Tilt and Space

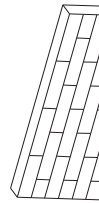


### 2.2 Installing the Mounting Bracket And Min 2500-6000 TL-XE

Drilling holes



Fix the wall bracket

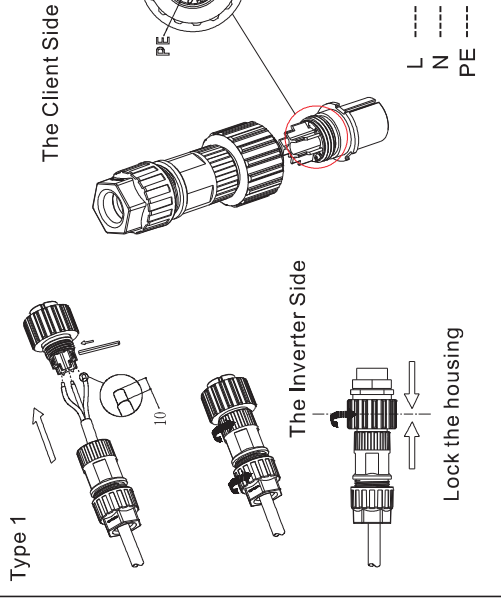


Installation & Tighten screw assemblies



### 3.2 Installing the AC Output Power Cable

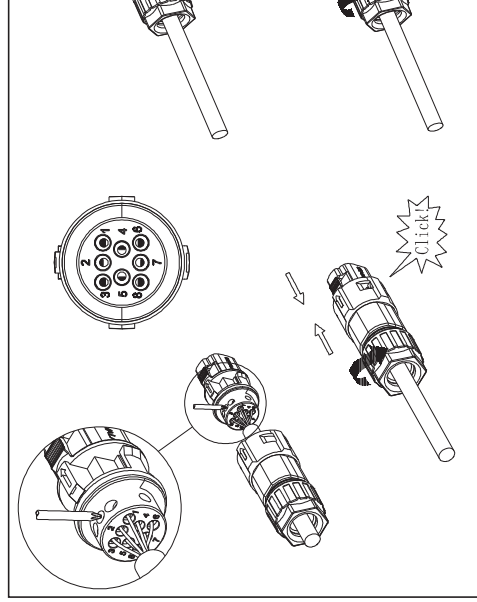
Connect the AC output power cable to the AC connector.



### ⚠ Notice:

Suggest using 6mm<sup>2</sup> cables. Ensure the exposed core

### 3.3 Installing the Signal Cable



### 3.4 Installing the PCI Cable

### COM Port Pin Definitions- Power Control Interface(PCI).

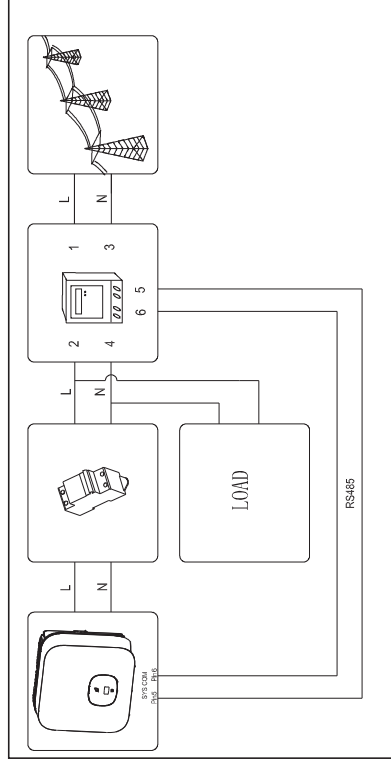
NO	1	2	3	4	5	6	7	8
Function	+12V	GND	Not connected	Relay contact 2 input	Relay contact 3 input	Relay contact 4 input	GND	Relay contact 1 input
Connect to RRCR	Not connected	Not connected	Not connected	K2- output	K3- output	K4- output	Relays common node	K1 - output

#### ⚠ Notice:

1. When laying out signal cables, separate them from power cables to avoid strong signal interference sources.
2. Do not confuse the connector to the COM port and the connector to the SYS COM port.
3. The COM port Aonly provides a functional port-PCI or DRM.

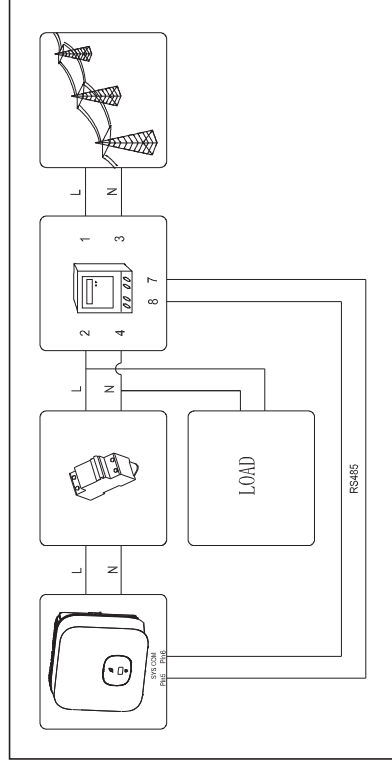
## 4. Connecting Meter

The following table describes how we can connect EASTRON meter (SDM230-Modbus) to inverter:



Meter Pin NO.	Description	Connect to Inverter
1	L-in	/
2	L-out	AC connector & Load L
3	N-in	/
4	N-out	AC connector & Load N
5	RS485A	SYS COM Pin 5 AntiReFlux-A
6	RS485B	SYS COM Pin 6 AntiReFlux-B

The following table describes how we can connect CHINT meter (DDSU666) to inverter:



Meter Pin NO.	Description	Connect to Inverter
1	L-in	/
2	L-out	AC connector & Load L
3	N-in	/
4	N-out	AC connector & Load N
5	RS485A	SYS COM Pin 5 AntiReFlux-A
6	RS485B	SYS COM Pin 6 AntiReFlux-B

## 5. Verifying the Installation

1. The MIN 2500-6000TL-XE is installed correctly and securely.
2. The Monitor is installed correctly and securely.

Step1: Turn on the AC switch between the MIN 2500-6000 TL-XE and the AC Grid.

Step2: Turn on the DC switch at the bottom of the MIN 2500 TL-XE.

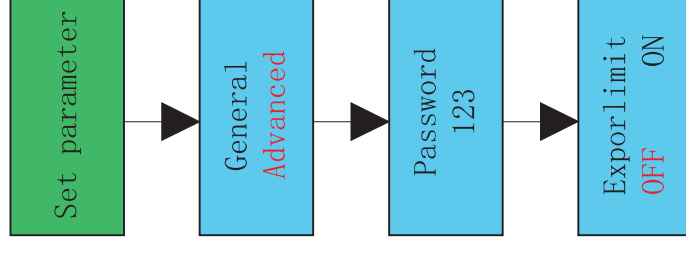
Step3: When the OLED show "Country/Area", Please the country follow the below step otherwise skip all steps

Country/Area  
VDE0126

#### Tips:

1. If the LED light is green, the system is operating normal
2. You can reset the country by "Country/Area" in the subm

## 7. Export limitation setting



Under the permission given by your energy provider, the re Export Limit Rate. For instance, if the energy provider only 80.0%.