

Monocrystalline Photovoltaic Module »



# MEPV 108 Nexa TOPCon

BLACK - STANDARD »  
420/425/430/435 Wp

## QUALITY »



**N-type cell**  
Higher resistance to PID and LID



**TOPCon**  
Technology to increase cell efficiency



**Bifacial cell**  
Generates solar energy from both sides



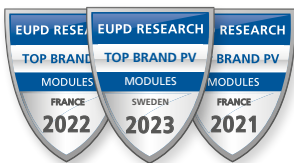
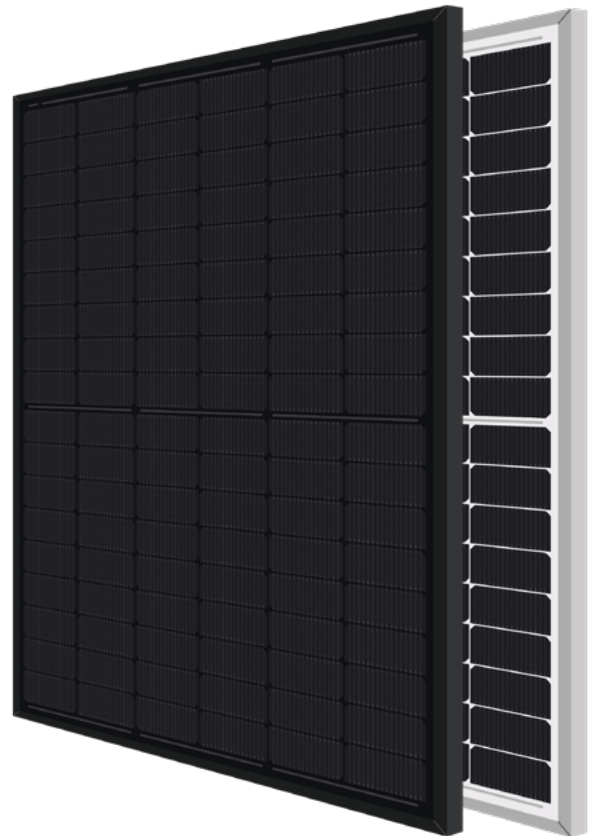
**Double glass**  
Load endurance



**Long durability**  
84,5% at the 30th year



**Efficiency**  
430Wp - 435Wp

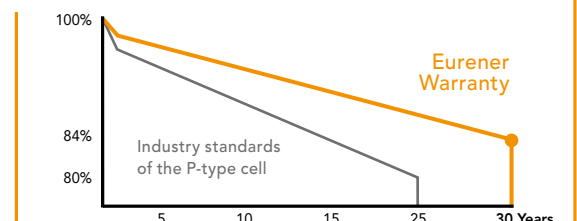


\*\*\* EUROPEAN QUALITY

## WARRANTIES »

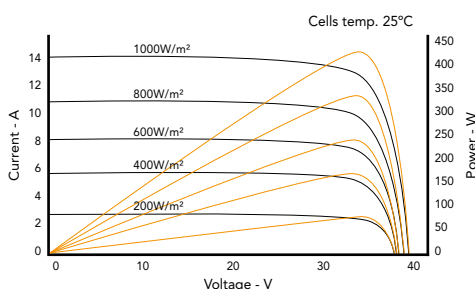
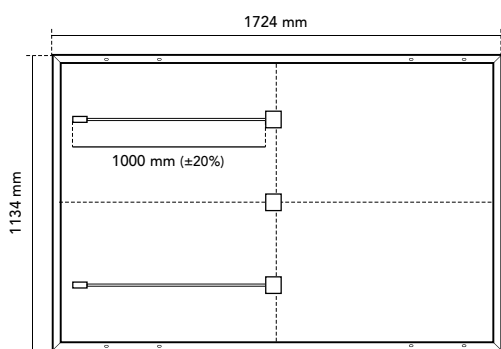
**25 YEARS PRODUCT WARRANTY**

**30 YEARS PERFORMANCE WARRANTY**  
Linear Warranty



## CERTIFICATES »





**FRAME**

Black / Silver anodized aluminium  
Robust and resistant to corrosion

**GLASS**

Back Glass | 2 mm Solar glass  
Front Glass | 2 mm Anti-reflective surface Solar glass

**JUNCTION BOX**

Sealed, robust and wide for heat dissipation  
IP67/IP68 according to IEC 60529  
Diodes by-pass built-in 3  
Connector MC4  
Cables 1000 mm (±20%) length and 4 mm<sup>2</sup> section

**FRONTAL**

Textured, extra-clear with low iron content  
Frontal load (snow) 5400 Pa | Back load (wind) 2400 Pa

**SOLAR CELLS**

108 [2x (9x6)] N-type bifacial monocrystalline silicon cells

**WEIGHT, DIMENSIONS AND PACKAGING**

23,4 Kg | 1724 x 1134 x 30 mm (±1%) | Pack: 962 pcs-truck

**ELECTRIC DATA »**

BLACK - STANDARD	MEPV 420	MEPV 425	MEPV 430	MEPV 435		
<b>STC: 1000 W/m<sup>2</sup>, module temperature 25°C, AM 1,5</b>						
Nominal power. Pmax	420 Wp	425 Wp	430 Wp	435 Wp		
Max. power tolerance. Pmax	0 / +3 W	0 / +3 W	0 / +3 W	0 / +3 W		
Area of the module	1,96 m <sup>2</sup>					
Module efficiency	21,49 %	21,75 %	22,01 %	22,26 %		
Isc	14,08 A	14,16 A	14,26 A	14,30 A		
Voc	38,09 V	38,28 V	38,42 V	38,70 V		
Imp	13,34 A	13,42 A	13,52 A	13,56 A		
Vmp	31,49 V	31,68 V	31,82 V	32,09 V		
<b>NOCT: 800 W/m<sup>2</sup>, ambient temperature 20°C, AM 1,5</b>						
Nominal power. Pmax	321,64 W	325,38 W	329,33 W	333,12 W		
Isc	11,34 A	11,41 A	11,47 A	11,54 A		
Voc	36,52 V	36,70 V	36,88 V	37,06 V		
Imp	10,75 A	10,81 A	10,88 A	10,94 A		
Vmp	29,92 V	30,10 V	30,27 V	30,45 V		
<b>Operating parameters. Temperature coefficients</b>		<b>Electrical characteristics with 10% rear side power gain</b>				
Maximum voltage	1000 - 1500 V	Model	MEPV 420	MEPV 425	MEPV 430	MEPV 435
Maximum series fuse rating. Ir	25 A	Pmax	462,00 W	467,50 W	473,00 W	478,50 W
α Isc	0,044 % / °C	Isc	15,43 A	15,52 A	15,63 A	15,67 A
β Voc	- 0,276 % / °C	Voc	38,09 V	38,31 V	38,49 V	38,85 V
γ Pmax	- 0,360 % / °C	Imp	14,63 A	14,72 A	14,82 A	14,86 A
Temperature range	- 40°C ~ + 85 °C	Vmp	31,58 V	31,76 V	31,91 V	32,21 V
NOCT	45 ± 2 °C					

NOTE: Read the instruction manual of this product and follow the indications STC. Values are valid for: 1000W/m<sup>2</sup>, AM 1,5 and cells temperature of 25°C. Measurement tolerance +/-3% (AAA Solar simulation -IEC 60.904-9-). All the information of this brochure may be amended without notice by Eurener. Eurener\_MEPV 108\_Nexa TOPCon\_420-435Wp\_EN\_MAY2023



[www.eurenergroupp.com](http://www.eurenergroupp.com)  
contact@eurenerworld.com  
+34 960 045 515  
Calle Colón, 1-23  
46004, Valencia. Spain

**Manufacturing a better world**

Since 1997 our main purpose has been to supply quality and long-lasting photovoltaic modules that allow us and future generations, to continue generating clean energy to take care of our planet.